

AlfaSector for Helium US

P/N: AS915

INTEGRATED OUTDOOR SECTOR ANTENNA FOR HELIUM WITH EXTERNAL CONNECTOR N FEMALE

AlfaSector US operates at 915 MHz with 8,5 dBi gain. It's compatible with devices dedicated to Helium Network. Due to external connector N female, it is possible to connect any IoT Gateway. That antenna is predicted to be installed on the buildings (on the pole or on the wall). High quality injection moulded enclosure allows to implement it alongside with indoor and IP67 outdoor solutions.



OUTDOOR

Use antennas wherever you want

ANTENNA

Maximize your signal strength with Alfa Miner antennas

SOLUTION

Plug IoT Gateway and you are good to go

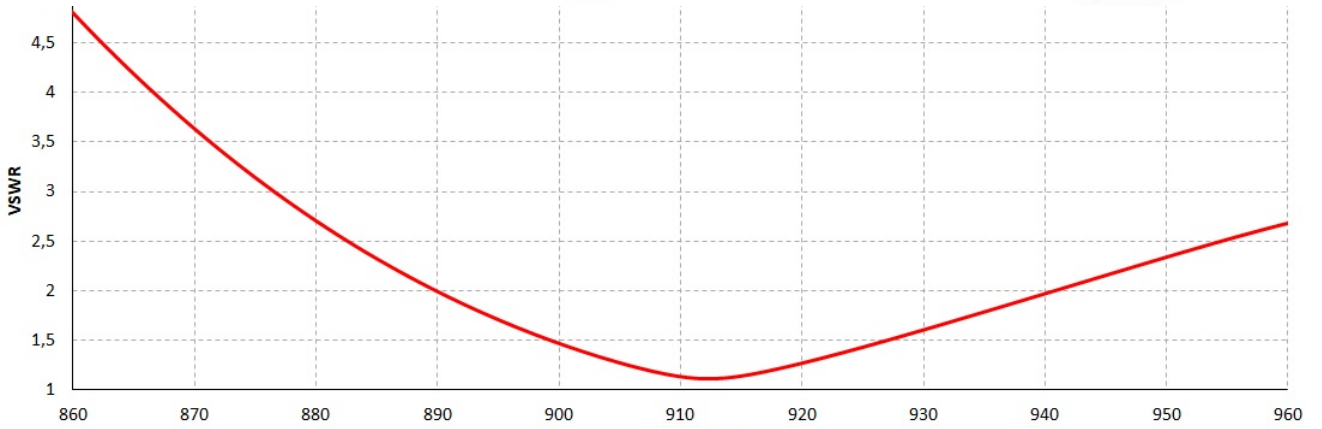
ELECTRICAL SPECIFICATION

FREQUENCY	895 - 935 MHz
GAIN	895 - 935 MHz : 8,5 dBi
VSWR	<1.80, max <2.00
BEAMWIDTH	75°/75° ±10°
POLARIZATION	Vertical
IMPEDANCE	50 Ω
MAX. INPUT POWER	50 W
FRONT TO BACK	>17 dB

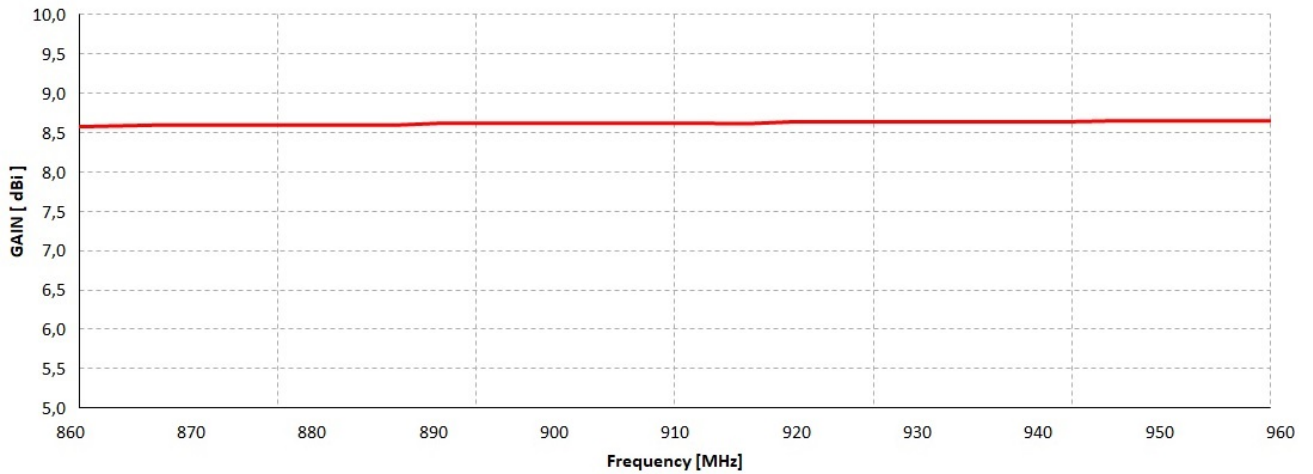
MECHANICAL SPECIFICATION

MATERIALS	ABS, aluminum, PTFE, Fiberglass
INGRESS PROTECTION	IP67
CONNECTOR TYPE	Nf
DIMENSIONS	269.8 x 269.8 x 76.9 mm 10.62 x 10.62 x 3.03 inch
WEIGHT	1.5 kg 3.30 lbs
OPERATING TEMPERATURE	From -40°C to 75°C From -40°F to 167°F

VSWR



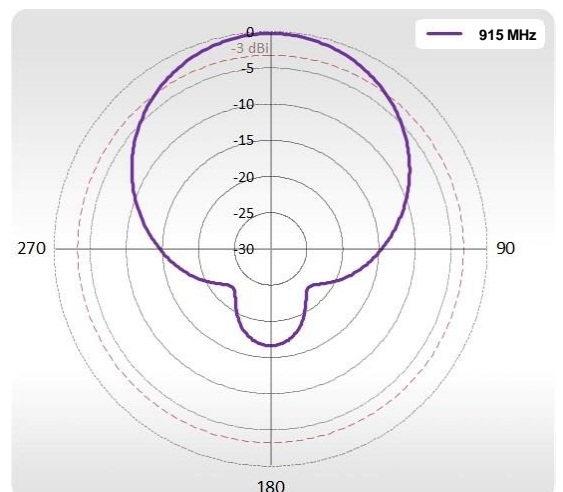
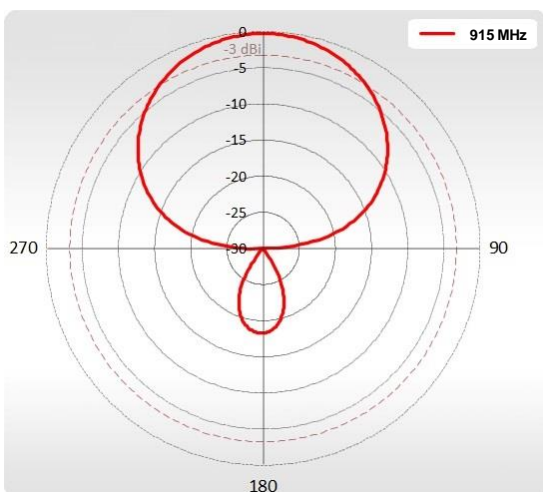
GAIN



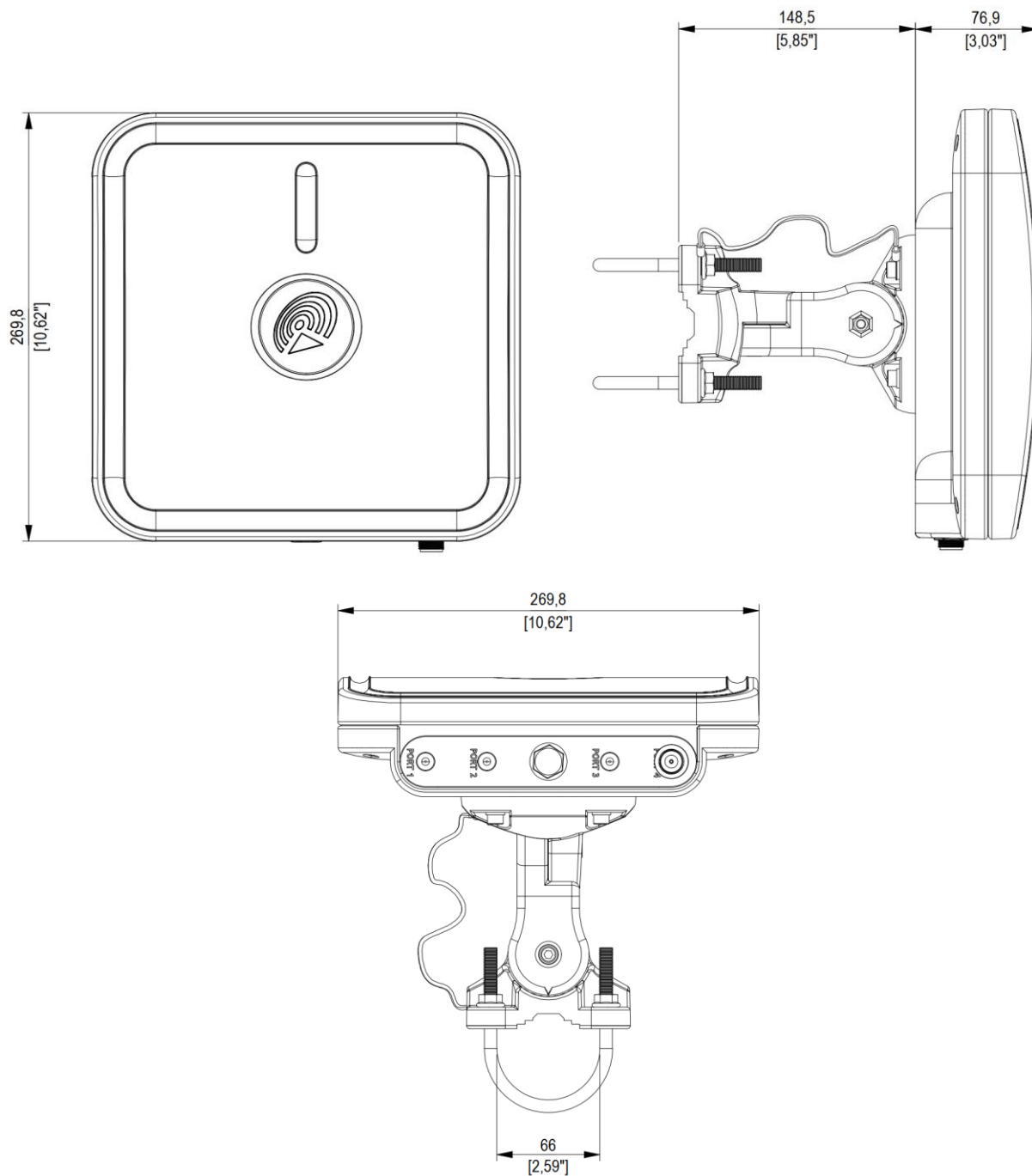
PLOTS

895–935 MHz Azimuth

895–935 MHz Elevation



DIMENSIONS



HEADQUARTERS:
ul. Kościuszki 27
52-116 Iwiny
POLAND

sales@alfaminer.com
tel 1. +48 601 366 369
tel 2. +48 577 667 761
www.alfaminer.com