

AlfaSector SR for Helium EU

P/N: AS868SR

INTEGRATED OUTDOOR SECTOR ANTENNA FOR HELIUM WITH EXTERNAL CONNECTOR N FEMALE

AlfaSector SR EU operates at 868 MHz with 11,5 dBi gain. It's compatible with devices dedicated to Helium Network. Due to external connector N female, it is possible to connect any IoT Gateway. That antenna is predicted to be installed on the buildings (on the pole or on the wall). High quality injection moulded enclosure allows to implement it alongside with indoor and IP67 outdoor solutions.



OUTDOOR

Use antennas wherever you want

ANTENNA

Maximize your signal strenght with Alfa Miner antennas

SOLUTION

Plug IoT Gateway and you are good to go

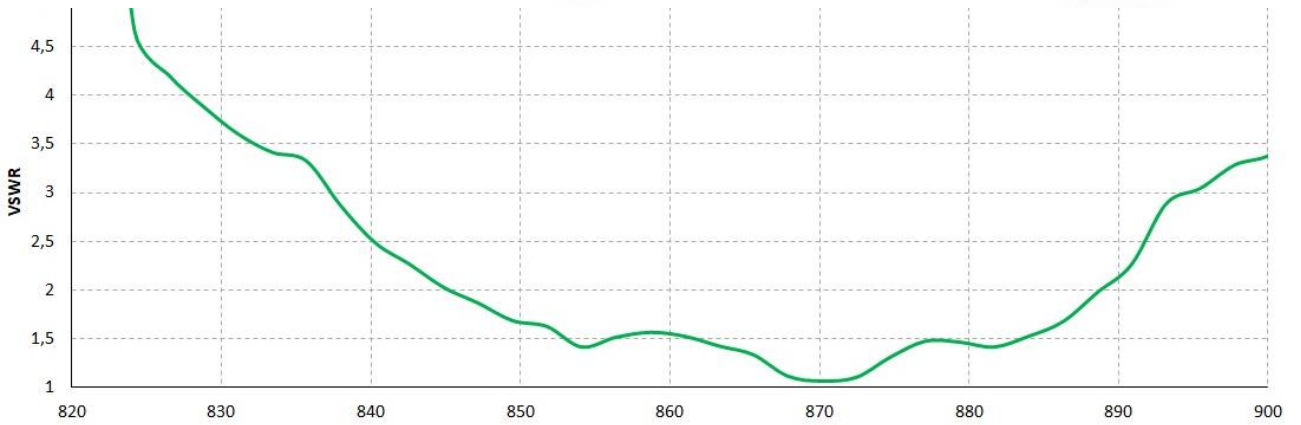
ELECTRICAL SPECIFICATION

FREQUENCY	850 - 888 MHz
GAIN	850 - 888 MHz : 11,5 dBi
VSWR	<1.80, max <2.00
BEAMWIDTH	30°/90° ±30°
POLARIZATION	Vertical
IMPEDANCE	50 Ω
MAX. INPUT POWER	50 W
FRONT TO BACK	>24 dB

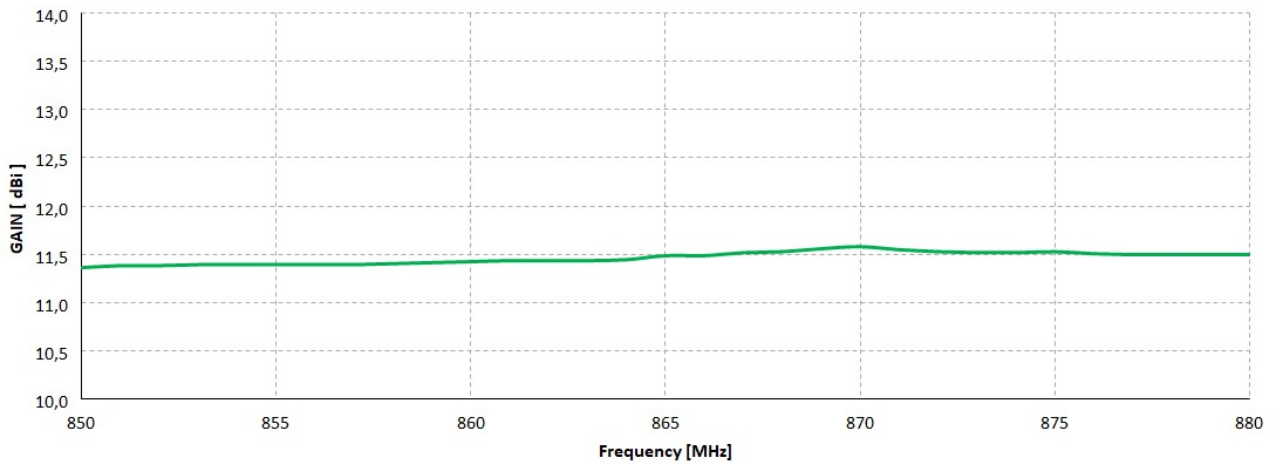
MECHANICAL SPECIFICATION

MATERIALS	ABS, aluminum, PTFE, Fiberglass
INGRESS PROTECTION	IP67
CONNECTOR TYPE	Nf
DIMENSIONS	486 x 290 x 70 mm 19.13 x 11.42 x 2.75 inch
WEIGHT	2.0 kg 4.40 lbs
OPERATING TEMPERATURE	From -40°C to 75°C From -40°F to 167°F

VSWR



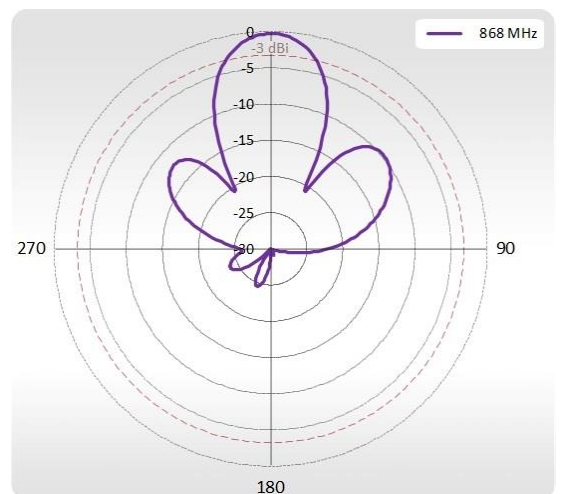
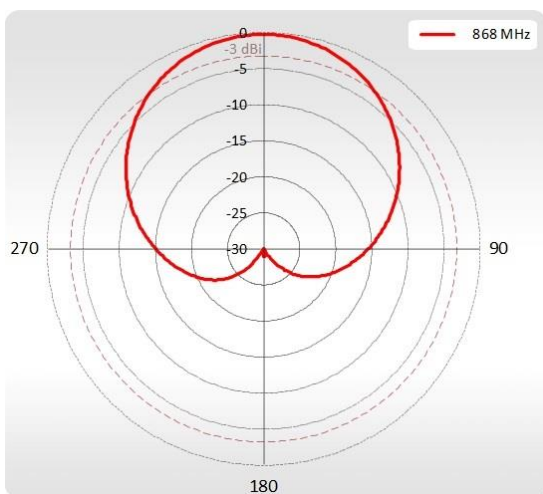
GAIN



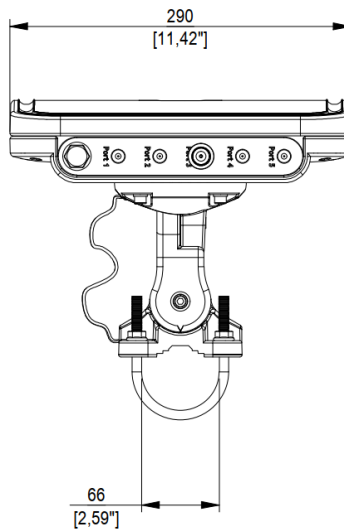
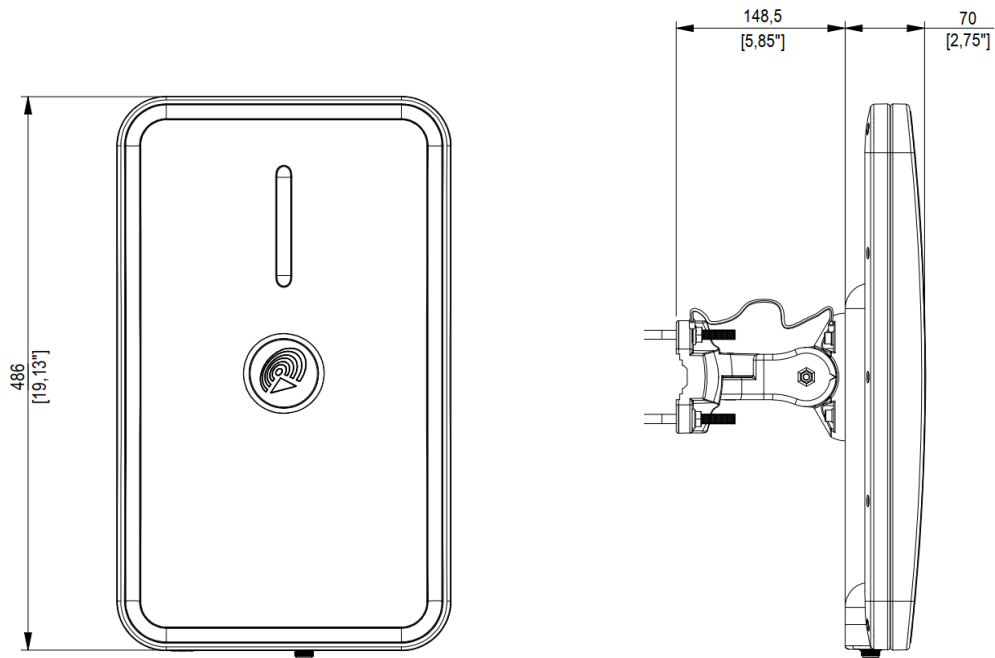
PLOTS

850-888 MHz Azimuth

850-888 MHz Elevation



DIMENSIONS



HEADQUARTERS:
ul. Kościuszki 27
52-116 Iwiny
POLAND

sales@alfaminer.com
tel 1. +48 601 366 369
tel 2. +48 577 667 761
www.alfaminer.com